

333 / P

Compact Track Loader



JOHN DEERE



PUT PRODUCTIVITY ON THE FAST TRACK

When we asked owners and operators like you — the experts who run them — what makes our compact track loaders (CTLs) work, you came up with loads of great ideas. Driven by your input, we've redesigned our large-frame 333 P-Tier in noticeable new ways. We put more horsepower under the hood, redefined cab comfort, and maximized performance and stability. Then we equipped it with pressure-compensated, load-sensing (PCLS) hydraulics for advanced multifunctioning. And added optional integrated machine technology, high-flow auxiliary hydraulics to optimize attachments, and your choice of control styles and grade-management solutions. All to enhance the operator experience and help you uncover opportunities to shift your operation to a higher gear.

Packed for productivity

Impressive power increase to 108.5 gross horsepower packed into a proven compact frame helps the 333 P-Tier CTL effortlessly push through the most demanding tasks. Plus it can capably maneuver around a wide range of jobsites and also transports easily.

Handle the pressure

PCLS hydraulic system provides improved multifunctioning, smoother machine control, and better fuel economy than open-center hydraulic systems. Greater auxiliary hydraulic flow empowers the addition of high- or super-flow attachments.

Flex your attachment muscle

Equip your 333 P-Tier with your choice of over 100 available John Deere attachments to boost the versatility of your fleet. Expanded mulching head and cold planer models can help open up new work opportunities.

Take control your way

Electrohydraulic (EH) ISO-pattern joystick controls that allow customized machine operations based on operator preference come standard. EH four-way controls, including EH foot control, ISO joystick control, H-pattern joystick control, and ISO and foot controls, are optional.

All about the operator

Next-generation cab filled with ergonomic creature comforts like a premium heated/ventilated seat, low-effort joystick controllers with adjustable performance modes, 25-button sealed-switch module to streamline settings, and deluxe LCD monitor puts operators of all skill levels at ease. Larger glass area increases visibility for the operator. Sealed and pressurized to minimize dust and noise, the cab is also isolated from the frame for a smooth ride.



333 P-TIER COMPACT TRACK LOADER



GRADE IT EASY

WITH JOHN DEERE GRADE-CONTROL OPTIONS

- **Onboard Grade Indicate** provides a real-time readout of cross-slope (machine roll) and mainfall slope (machine pitch) on the in-cab monitor. Use relative value readout to alter grades relative to existing or reference grades.
- **Slope Control** lets operators automatically maintain blade position without using external lasers or GNSS, to hold grade with minimum effort, corrections, and adjustments. Laser option helps make Slope Control even more productive.
- **Slope Control With Dual Laser** enables operators to automatically control the blade to a specific slope and elevation using a rotating laser.
- Built on the legacy of the John Deere 333G SmartGrade™ – the first CTL in the industry to feature fully integrated 3D-grade-control technology – the **333 P-Tier SmartGrade** includes our operator-friendly DozerMode control system. Pushing a button on the sealed-switch module switches to the DozerMode control pattern to enable intuitive crawler operation. Deere-designed and -built six-way SG96 Dozer Blade is tough enough to cut grade but can also smoothly spread or precisely fine-grade materials.



PCLS HYDRAULIC SYSTEM
IMPROVES FUEL ECONOMY
& MULTIFUNCTIONING
COMPARED TO OPEN-CENTER HYDRAULIC SYSTEMS

Smooth operator

Optional anti-vibration undercarriage system* allows higher travel speeds over rough terrain with excellent material retention. Bogie system enables smoother transitions over uneven surfaces.

*Only for zigzag-bar tracks; not compatible with SmartGrade or SmartGrade with Slope Control.

Repeat performance

Shorten cycle times and speed production in repetitive boom applications with the optional EH boom performance package that automates functions.

Load warrior

Height to hinge pin of 11 feet enables the 333 P-Tier to easily load tandem-axle dump trucks, fill hoppers, and feed mixers. Additional reach comes in handy for moving pallets of pavers or other weighty cargo.

In a whole new light

Opt for a new 8-inch touchscreen display to clearly access and monitor vital machine data. Standard rearview camera plus optional LED side lighting and Surround View further enhance jobsite visibility.

Run long

Increased tank capacity for both fuel and diesel exhaust fluid (DEF) lets you run all day without having to refill. Tilt the hood up for simple ground-level access to the dipstick, filters, and fuel and fluid fills. Convenient cab-footwell access helps speed cleaning.



333 P-TIER COMPACT TRACK LOADER



**LARGE FUEL & DEF TANKS
EXTEND RUN TIMES
BETWEEN REFILLS**

Safety features

Standard personal-protection features include in-cab-activated boom lock and triple-interlock system that detects the presence of the operator.

Connected machines

John Deere construction equipment comes with in-base connectivity — free from subscriptions or annual renewals. Analyze critical machine data, track utilization, review diagnostic alerts, and more from **the John Deere Operations Center™**. The Operations Center also enables **John Deere Connected Support™**, which uses data from thousands of connected machines to proactively address issues before they arise. With your approval, your dealer can also remotely monitor machine health, diagnose problems, and even update machine software without a trip to the jobsite.*

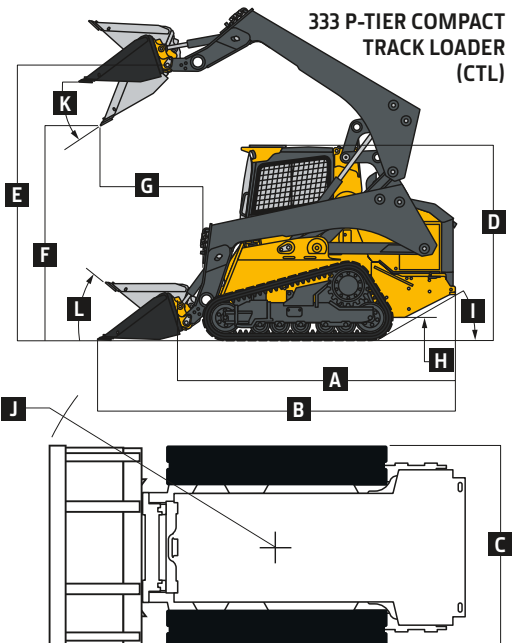
*Availability varies by region and product. Options not available in every country.





While general information, pictures, and descriptions are provided, some illustrations and text may include product options and accessories NOT AVAILABLE in all regions, and in some countries products and accessories may require modifications or additions to ensure compliance with the local regulations of those countries.

Engine		333 P-TIER / 333 P-TIER SMARTGRADE™	
Manufacturer and Model	Yanmar 4TNV94FHT	Displacement	3.1 L (186.3 cu. in.)
Non-Road Emission Standard	EPA Final Tier 4/EU Stage IV	Rated Engine Speed	2,500 rpm
Cylinders	4	Torque Rise	39% at 1,700 rpm
Gross Rated Power (ISO 14396)	80.9 kW (108.5 hp) at 2,500 rpm	Aspiration	Turbocharged, intercooled
Net Peak Power (SAE J1349 / ISO 9249)	78.9 kW (105.8 hp) at 2,500 rpm	Air Cleaner	Dry dual element
Peak Torque	394 Nm (290.6 ft.-lb.) at 1,700 rpm		
Cooling			
Fan Type	Variable-speed hydraulic drive standard / reversing fan drive optional		
Powertrain			
Pump	Axial-piston hydrostatic	Travel Speeds (continued)	
Controls	Electrohydraulic	2 Speed, High	13.7 km/h (8.5 mph)
Travel Speeds		Brakes	
2 Speed, Low	8.9 km/h (5.5 mph)	Integral, automatic, spring-applied, hydraulically released wet-disc brake	
Undercarriage			
Rubber Tracks	New-Generation smooth-ride long-life rubber with steel inserts	Ground Pressure (continued)	
Track Width		With Optional 400-mm (15.8 in.) Track	36.3 kPa (5.3 psi)
Standard	450 mm (17.7 in.)	Track Rollers (per side)	5 triple-flange smooth-ride all-steel rollers
Optional	400 mm (15.8 in.)	Track Idlers (per side)	2 double-flange smooth-ride all-steel rollers
Ground Pressure		Tractive Effort	5221 kgf (11,500 lbf)
With Standard 450-mm (17.7 in.) Track	32.8 kPa (4.8 psi)		
Hydraulics			
Pump Flow		Hydraulic Horsepower Flow (calculated)	
Standard	95 L/m (25 gpm)	Standard	38 kW (51.1 hp)
Total With High-Flow Option	167 L/m (44 gpm)	High	67 kW (89.9 hp)
System Pressure at Couplers	24 132 kPa (3,500 psi)		
Cylinders			
Type	John Deere heat-treated, chrome-plated, polished cylinder rods, hardened steel (replaceable bushings) pivot pins		
Electrical			
Voltage	12 volt	Lights	Halogen: 2 front and 1 rear standard / deluxe LED: 4 front and 1 rear optional
Battery Capacity	950 CCA		
Alternator Rating	120 amp	Serviceability	
Operator's Station		Refill Capacity	
ROPS (ISO 3471) / FOPS (ISO 3449) structure with quick-pivot standard		Fuel Tank	136.3 L (36 gal.)
Operating Weights			
With Standard 450-mm (17.7 in.) Track	5531 kg (12,183 lb.)		
Machine Dimensions			
A Length Without Bucket	3.17 m (125.0 in.) (10 ft. 5 in.)		
B Length With Foundry Bucket	3.84 m (151.2 in.) (12 ft. 7 in.)		
C Width Without Bucket			
With 400-mm (15.8 in.) Track	2.00 m (78.9 in.) (6 ft. 7 in.)		
With 450-mm (17.7 in.) Track	2.05 m (80.7 in.) (6 ft. 9 in.)		
D Height to Top of ROPS	2.22 m (87.4 in.) (7 ft. 3 in.)		
E Height to Hinge Pin	3.35 m (132.0 in.) (11 ft. 0 in.)		
F Dump Height With Foundry Bucket	2.69 m (106.1 in.) (8 ft. 10 in.)		
G Dump Reach			
With Foundry Bucket	0.74 m (29 in.)		
With Construction Bucket (no edge)	0.92 m (36.2 in.) (3 ft. 0 in.)		
H Ground Clearance	0.25 m (9.8 in.)		
I Angle of Departure	30 deg.		
J Front Turn Radius With Foundry Bucket	2.18 m (86.0 in.) (7 ft. 2 in.)		
K Dump Angle (full lift height)	48 deg.		
L Bucket Rollback (ground level)	35 deg.		
Loader Performance			
Tipping Load With Foundry Bucket	4994 kg (11,000 lb.)		
SAE Rated Operating Capacity With Foundry Bucket			
At 35% Tipping Load	1748 kg (3,850 lb.)		
At 50% Tipping Load	2497 kg (5,500 lb.)		
Breakout Force	With Foundry Bucket	With Construction Bucket	
Boom	3859 kg (8,500 lb.)	3541 kg (7,800 lb.)	
Bucket	6243 kg (13,750 lb.)	4313 kg (9,500 lb.)	



333 P-TIER COMPACT TRACK LOADER SPECIFICATIONS

333

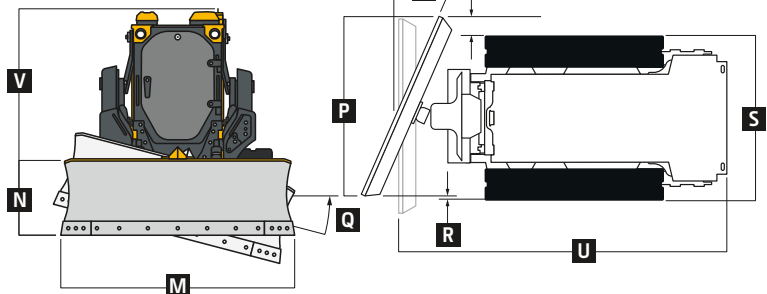
P

While general information, pictures, and descriptions are provided, some illustrations and text may include product options and accessories NOT AVAILABLE in all regions, and in some countries products and accessories may require modifications or additions to ensure compliance with the local regulations of those countries.

333 P-TIER SMARTGRADE DIMENSIONS

Blade Type	Power-Angle-Tilt (PAT)
M Blade Width	2440 mm (96 in.) (8 ft. 0 in.)
N Blade Height	740 mm (29 in.)
SAE Capacity	1.18 m ³ (1.54 cu. yd.)
Weight	640 kg (1,400 lb.)
O Blade Angle	±24 deg.
P Overall Width With Blade Angled	2258 mm (88 in.) (7 ft. 4 in.)
Q Blade Tilt	±8 deg.
R Cut Reach	
With 400-mm (15.8 in.) Narrow Track	15.3 mm (0.6 in.)
With 450-mm (17.7 in.) Wide Track	-22.2 mm (-0.8 in.)
S Width Over Track	
With 400-mm (15.8 in.) Narrow Track	2000 mm (78.9 in.) (6 ft. 6.9 in.)
With 450-mm (17.7 in.) Wide Track	2047 mm (80.7 in.) (6 ft. 8.7 in.)
T Cast Reach	
With 400-mm (15.8 in.) Narrow Track	246.0 mm (9.7 in.)
With 450-mm (17.7 in.) Wide Track	223.8 mm (8.8 in.)

333 P-TIER SMARTGRADE CTL



U Length With Dozer Blade Installed	
With 400-mm (15.8 in.) Narrow Track	3940 mm (155 in.) (12 ft. 11 in.)
With 450-mm (17.7 in.) Wide Track	3940 mm (155 in.) (12 ft. 11 in.)
V Height With GNSS Antenna	2360 mm (92.9 in.) (7 ft. 9 in.)

Additional equipment

Key: ● Standard ▲ Optional or special

See your John Deere dealer for further information.

333 P Engine

- Meets EPA Final Tier 4/EU Stage IV emissions
- Yanmar 4TNV94FHT
- Auto-idle
- Automatic fan tensioner
- Automatic preheat
- Electronic injection system
- ▲ Engine air precleaner kit
- Fuel tank, 136.3 L (36 gal.)
- John Deere COOL-GARD™ II Extended-Life Engine Coolant
- John Deere Plus-50™ 10w30 initial engine oil fill[‡]
- 4-cylinder, 80.9 kW (108.5 gross hp)/78.9 kW (105.8 net hp), 3.1-L (186.3 cu. in.) displacement
- 5-micron primary fuel filter and water separator
- ▲ Cold-weather starting package

Cooling System

- Coolant surge tank
- Variable-speed hydraulically driven fan cooling system
- ▲ Reversing fan drive

Powertrain

- High-torque heavy-duty planetary-reduction final drive
- Automatic spring-applied hydraulically released wet-disc park brake
- Wet-disc brakes
- Transmission, 2 speed

Hydraulic System

- John Deere hydraulic cylinders with cushioned boom cylinders
- John Deere heat-treated, chrome-plated cylinder rods with replaceable bushings
- Connect-under-pressure auxiliary couplers
- Quick-check hydraulic fluid-level sight glass
- 1,000-hour, 5-micron hydraulic filter
- High-flow hydraulics
- Axial-piston hydrostatic pump

Electrical

- Automatic engine/hydraulic shutdown protection system
- Auxiliary hydraulics operator-presence system
- Courtesy lighting
- Deluxe instrumentation monitor with: Operator-selectable monitoring – Hour meter, engine rpm, battery voltage, diagnostics, monitor configuration, engine coolant temperature, hydraulic oil temperature / LED

333 P Electrical (continued)

- warning indicators – Glow plug, seat switch, seat belt, door open, auxiliary hydraulics, park brake engaged, 2-speed engaged, stop, low engine oil pressure, engine coolant over-temperature, battery not charging, air filter restriction, and hydraulic filter restriction
- ▲ Deluxe LED lighting package with additional cab-integrated side lights (2)
- Front and rear halogen work lights
- Triple-interlock operator-presence control system
- Backup alarm
- Battery, 950 CCA
- Horn
- ▲ Hazard warning lights
- ▲ Strobe light, amber

Operator's Station

- Deluxe cab headliner
- ISO-H switchable joystick controls and electrohydraulic (EH) joystick performance package*
- ▲ 4-way switchable controls include EH foot control, ISO joystick control, H-pattern joystick control, and ISO and foot controls
- ▲ ISO controls with programmable detents and EH boom performance package;† also includes EH joystick performance package*
- Keyless-start sealed-switch module with integrated anti-theft system and operator memory preference settings
- Electronic push-button auxiliary controls
- Pull-down adjustable lap bar
- Quick-pivot ROPS
- Rear window
- Top window
- Sliding/locking/glass side windows
- ROPS/FOPS operator structure
- Glass cab enclosure
- Seat belt, 51 mm (2 in.), retractable
- ▲ Shoulder belt, 51 mm (2 in.) or 76 mm (3 in.)
- ▲ Severe-duty cab door and wiper system
- Vinyl air-ride seat
- ▲ High-back cloth air-ride seat, heated and ventilated
- 12-volt power port / Dome light / Cargo storage / Beverage holder
- Air conditioning with heater/defroster

333 P Operator's Station (continued)

- AM/FM radio with auxiliary input and Bluetooth® for audio streaming and hands-free calling
- ▲ Floor mat with left footrest
- Rearview mirror
- Rearview camera
- ▲ Surround View

Loader

- In-cab boom lockout to secure loader before exiting seat
- Patented John Deere Power Quik-Tatch™ (no grease required)
- Patented John Deere vertical-lift boom
- Hydraulic self-leveling on/off
- ▲ Ride control

Other

- ▲ SmartGrade™
- ▲ Slope Control
- ▲ Laser Slope Control
- ▲ Onboard grade indication: This option delivers onboard readout within LCD monitor that provides slope of blade (cross-slope direction) and mainfall (fore/aft direction) within ±0.5-percent accuracy
- Convenient front and rear tie-downs
- Environmental drains for all fluid reservoirs
- ▲ Chrome exhaust stack
- ▲ Engine oil/hydraulic fluid-sampling kit
- ▲ Forestry protection packages
- ▲ Heavy-duty rear grille
- ▲ Rear counterweights (available in sets of 1, 2, or 3), 78 kg (172 lb.) (each set)
- ▲ 3-point lift kit
- ▲ SMV sign kit
- ▲ Anti-vibration undercarriage system
- ▲ Track, 400-mm (15.8 in.) wide
- ▲ Track, 450-mm (17.7 in.) wide
- JDLink™ wireless communication system (available in specific countries; see your dealer for details)

[‡]500-hour engine oil-change intervals when John Deere Plus-50 oil and John Deere oil filter are used.

*EH joystick performance package features switchable accelerator/decelerator, selectable propel speeds, creep control, boom- and bucket-speed settings, and 12-volt 3- and 14-pin attachment-control harness.

†EH boom performance package features include EH bucket self-level up and down, return to dig, return to carry, and boom-height kick-out.

While general information, pictures, and descriptions are provided, some illustrations and text may include product options and accessories NOT AVAILABLE in all regions, and in some countries products and accessories may require modifications or additions to ensure compliance with the local regulations of those countries.

Net engine power is with standard equipment including air cleaner, exhaust system, alternator, and cooling fan, at standard conditions per SAE J1349 and DIN 6270B, using No. 2-D fuel at 35 API gravity. Gross power is without cooling fan. Specifications and design subject to change without notice.

Wherever applicable, specifications are in accordance with SAE standards. Except where otherwise noted, these specifications are based on a unit with standard equipment, full fuel tank, and 79-kg (175-lb.) operator.



MK333CAU (24-05)



JOHN DEERE